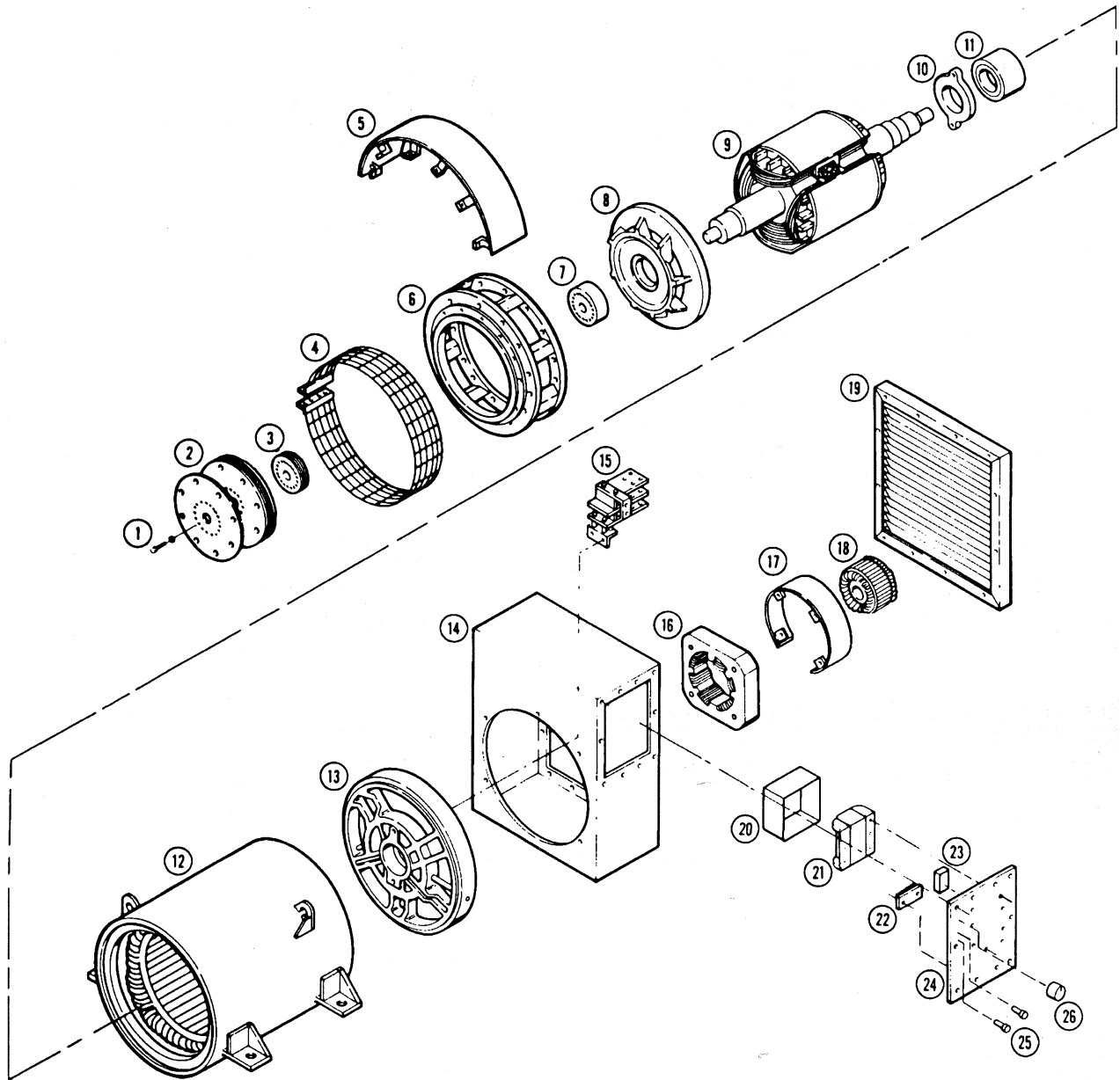


TYPICAL MAGNA ONE[®] GENERATOR

Parts List



Item	Description	Item	Description	Item	Description
1	Place Bolt I& Hardened Washer	10	Bearing Cap (When Used)	19	Louvered Conduit Box Cover
2	Drive Discs	11	Cartridge Ball Bearing	20	Regulator Enclosure
3	Spacer Plates (When Used)	12	Main Stator & Fan Assembly	21	Voltage Regulator
4	Screen, Drive End	13	Front End Bracket	22	Terminal Block
5	Drip Cover (Optional)	14	Conduit Box	23	Exciter Field Circuit Breaker
6	SAE Adaptor	15	Bus Bar Assembly (When Used)	24	Regulator Panel
7	Drive Hub	16	Exciter Stator Assembly w/Winding	25	Fuses & Fuse Holders
8	Fan	17	Lead Shield	26	Voltage Adjust Rheostat
9	Main Rotor Core w/Winding	18	Exciter (Rotor) Armature & Rectifier Assembly w/Winding		