



# DATAMAX GENERATORS

DATA CENTER APPLICATIONS, 1100 TO 3500 KW  
LOW AND HIGH VOLTAGE, 60 AND 50 HZ

DATAMAX™



# DATAMAX™ GENERATORS

**When mission critical loads are on the line data centers around the world have grown to rely on Marathon® generators as the most trusted, most reliable option when it comes to efficient operation, long life, proven transient performance and guaranteed uptime.**

With robust designs including by far the most rugged rotor construction in the world, DATAMAX™ generators utilize wet wound epoxy rotor windings, with form coil main stator options available across the entire offering.

Regal Rexnord understands that each project can have its own unique needs in terms of performance, sub-transient reactance, space constraints, connection and protection specifications.

With a global team of highly experienced engineers, Regal Rexnord can customize our generators to meet the wide variety of application needs in the data center environment.

Marathon generators are in operation in data centers across the globe, providing safe, reliable and efficient power for standby and prime power demands.

Regal Rexnord delivers the ultimate in data center generators - the DATAMAX. DATAMAX generators are available in a range of 1100 to 3500 Kw, covering 480 to 13,800 volts 60 hertz and 400 to 11,000 volts 50 hertz.

This proven low reactance model is available in three frame sizes - 740 frame, 860 frame and 1000 frame



## LOW REACTANCE DESIGNS

DATAMAX generators have custom low subtransient reactance winding designs often required to meet data center specifications. Low reactance generators minimize harmonics, which limits the voltage distortion that can affect the system performance. Regal Rexnord also offers the flexibility to provide customized higher reactance designs.



## WET WOUND ROTOR CONSTRUCTION

As data centers strive for 100% uptime, reliability is a critical factor. DATAMAX generators utilize single piece laminations and wet layer winding processes, to provide the most reliable rotor construction in the market today.



## FORM COILS

For the most demanding specification, our form coil designs provide superior electrical and mechanical strength and are standard on our medium and high voltage offering. The DATAMAX generators are also available in random wound designs.



## GLOBAL TECHNICAL SUPPORT

With a highly qualified team of engineers and technical support staff in Wausau, Wisconsin and Shanghai, China, Regal Rexnord can promptly respond to all technical inquiries relative to specification review, custom design needs, 3D files and any other technical support our customers may need.



## CUSTOM DESIGNS / HIGHLY ENGINEERED SOLUTIONS

Regal Rexnord leads the industry in the ability to supply beyond the standard requirements with the flexibility and experience to offer custom reactance designs, enclosures, breaker boxes, unique buss bar configurations, a variety of accessories, and customer specified testing in our UL<sup>®\*</sup> Certified lab.



## DIGITAL VOLTAGE REGULATOR

DATAMAX<sup>™</sup> generators are supplied with the proven DVR<sup>®</sup>2400 automatic voltage regulator (“AVR”). The DVR2400 AVR provides ¼ % voltage regulation and utilizes an isolated PMG power supply to assure reliable voltage output independent of the load on the generator. And with nonlinear loads very common in data center applications, this isolated power input to the generator assures that there will be stable voltage to the load. The DVR2400 AVR also offers 14 different protective features, many customizable to the specific application, 300% short circuit protection and many other features to insure long, reliable life.



## WARRANTY

Regal Rexnord is proud to offer a 5-year, 2000 hour, data center warranty on the DATAMAX product line. We believe this is the longest warranty coverage in the generator industry.



## RELIABILITY

Marathon generators have demonstrated unprecedented reliability with decades of proven performance, long life, and with the high volume customers reporting years of trouble-free operation.



## SUSTAINABILITY

Regal Rexnord takes great pride in protecting our precious planet, with key initiatives to reduce our global footprint and to keep our employees safe and the environment protected. We are motivated by the fact that our products create a better tomorrow by reducing demands for energy.



## GLOBAL MANUFACTURING

With manufacturing facilities in North America, Mexico and China, Regal Rexnord can respond with worldwide, competitive lead times and support.

\*UL is a trademark or trade name of Underwriters Laboratories and is not owned by or under the control of Regal Rexnord Corporation.

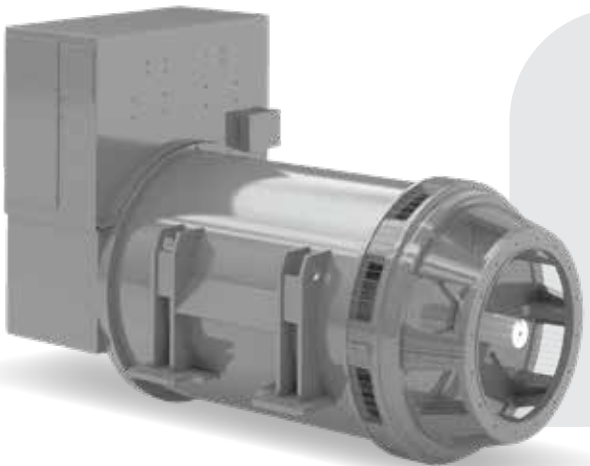
# MARATHON® GENERATORS INNOVATION

Marathon Generators offers three frame sizes and numerous designs to meet the unique needs of data center specifications; providing a proven, reliable, dependable generator offering for all your application needs.



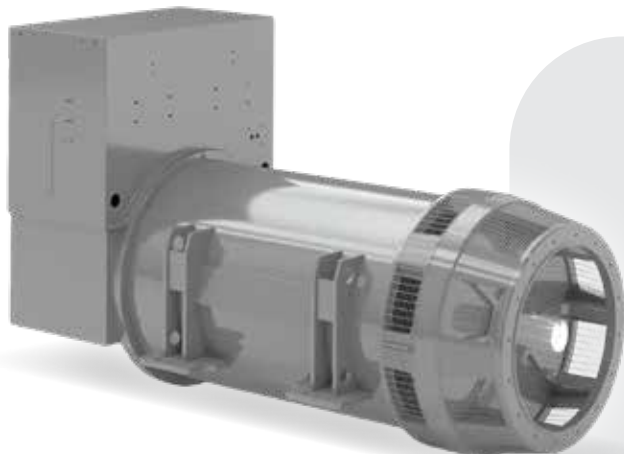
## 740 FRAME DESIGNS

- Low Voltage
  - 60 Hertz, 1310 - 2650 kW
  - 50 Hertz, 1500 - 2650 kVA
- Low reactance machines
- Form or random wound
- Flexible designs – single or two bearing
- Compact, lighter versus 1000 frame



## 860 FRAME DESIGNS

- Low Voltage
  - 60 Hertz, 2300 - 3100 kW
  - 50 Hertz, 2400 - 3375 kVA
- High voltage from 1100 - 2350 kW
- Low reactance machines
- Form or random wound
- Flexible designs



## 1000 FRAME DESIGNS

- Low Voltage up to 60 Hertz - 3350 kW,  
50 Hertz - 3288 kVA
- High Voltage up to 60 Hertz - 3500 kW,  
50 Hertz - 3750 kVA
- Low reactance machines
- Form or random wound
- Flexible designs

**60 Hertz**4-pole  
Low and High Voltage  
Three Phase1800 RPM  
40°C Ambient  
0.8 Power Factor Lagging  
DVR®2400 AVR with PMG Excitation**DATAMAX™**

Model	Winding	Voltage	150°C		130°C		125°C		105°C		80°C	
			kW	X"d	kW	X"d	kW	X"d	kW	X"d	kW	X"d
743RSL1352	Random	480	1750	0.112	1750	0.112	1700	0.109	1600	0.102	1310	0.084
744RSL1354	Random	480	2000	0.08	2000	0.08	1960	0.078	1850	0.074	1500	0.06
744RSL1356	Random	480	2260	0.107	2210	0.105	2160	0.103	2010	0.095	1700	0.081
764RSL1364	Random	480	2650	0.093	2500	0.088	2400	0.084	2250	0.079	2000	0.07
862RSL13006	Random	480	3110	0.121	2880	0.112	2880	0.112	2685	0.104	2300	0.089
1020RDL1309	Random	480	3400	0.115	3250	0.11	3250	0.11	3050	0.103	2550	0.086
1020RDL1311	Random	480	3600	0.137	3500	0.133	3400	0.129	3250	0.123	2800	0.106
863FSL13056	Form	480	3100	0.121	3000	0.117	3000	0.117	2730	0.106	2400	0.094
1020FDL1300	Form	480	2340	0.14	2340	0.14	2290	0.137	2190	0.131	1880	0.113
1020FDL1302	Form	480	2500	0.128	2500	0.128	2500	0.128	2250	0.115	2000	0.102
1020FDL1306	Form	480	2800	0.12	2800	0.12	2800	0.12	2710	0.116	2250	0.096
1020FDL1308	Form	480	3000	0.129	3000	0.129	2900	0.124	2800	0.12	2340	0.1
1030FDL1310	Form	480	3350	0.113	3350	0.113	3260	0.11	3080	0.104	2530	0.085
861FSH14152	Form	13200	---	---	1360	0.143	---	---	1260	0.132	1100	0.116
862FSH14154	Form	13200	---	---	1620	0.144	---	---	1500	0.133	1300	0.116
862FSH14156	Form	13200	---	---	1860	0.129	---	---	1750	0.121	1500	0.104
863FSH14158	Form	13200	---	---	2100	0.115	---	---	2000	0.11	1680	0.092
863FSH14160	Form	13200	---	---	2350	0.131	---	---	2150	0.12	1900	0.106
1020FDH1440	Form	13200	---	---	1875	0.113	---	---	1750	0.106	1500	0.09
1020FDH1442	Form	13200	---	---	2180	0.131	---	---	2000	0.12	1750	0.105
1020FDH1444	Form	13200	---	---	2250	0.135	---	---	2010	0.121	1800	0.108
1020FDH1446	Form	13200	---	---	2360	0.126	---	---	2170	0.116	1800	0.096
1020FDH1448	Form	13200	---	---	2500	0.126	---	---	2250	0.113	2000	0.101
1030FDH1452	Form	13200	---	---	2800	0.115	---	---	2550	0.105	2200	0.09
1030FDH1454	Form	13200	---	---	3070	0.107	---	---	2800	0.098	2350	0.082
1040FDH1456	Form	13200	---	---	3250	0.093	---	---	3000	0.086	2500	0.072
1040FDH1458	Form	13200	---	---	3500	0.1	---	---	3250	0.093	2800	0.08

**50 Hertz**4-pole  
Low and High Voltage  
Three Phase1500 RPM  
40°C Ambient  
0.8 Power Factor Lagging  
DVR®2400 AVR with PMG Excitation**DATAMAX™**

Model	Winding	Voltage	150°C		130°C		125°C		105°C		80°C	
			kVA	X"d	kVA	X"d	kVA	X"d	kVA	X"d	kVA	X"d
743RSL1352	Random	400	1813	0.111	1688	0.103	1688	0.103	1550	0.095	1275	0.078
744RSL1354	Random	400	2038	0.082	1925	0.077	1925	0.077	1788	0.072	1513	0.061
744RSL1356	Random	400	2450	0.115	2338	0.11	2288	0.108	2113	0.099	1763	0.083
744RSL1359	Random	400	2550	0.086	2313	0.078	2275	0.077	2088	0.07	1788	0.06
764RSL1364	Random	400	2650	0.087	2500	0.082	2400	0.079	2200	0.072	1875	0.061
862RSL13006	Random	400	3188	0.119	3000	0.112	3000	0.112	2750	0.103	2438	0.091
1020RDL1309	Random	400	3500	0.113	3313	0.107	3250	0.105	3125	0.101	2563	0.083
1020RDL1311	Random	400	3750	0.137	3563	0.13	3563	0.13	3438	0.125	2875	0.105
863FSL13056	Form	400	3375	0.126	3125	0.117	3125	0.117	2813	0.105	2525	0.095
1020FDL1300	Form	400	2200	0.127	2200	0.127	2200	0.127	2200	0.127	1888	0.109
1020FDL1302	Form	400	2275	0.111	2275	0.111	2275	0.111	2275	0.111	1950	0.095
1020FDL1306	Form	400	2738	0.112	2738	0.112	2738	0.112	2700	0.111	2206	0.09
1020FDL1308	Form	400	2813	0.115	2813	0.115	2813	0.115	2788	0.114	2338	0.096
1030FDL1310	Form	400	3288	0.106	3288	0.106	3250	0.105	3050	0.099	2550	0.083
861FSH14152	Form	11000	---	---	1413	0.142	---	---	1313	0.132	1131	0.114
862FSH14154	Form	11000	---	---	1688	0.144	---	---	1563	0.133	1350	0.115
862FSH14156	Form	11000	---	---	1938	0.129	---	---	1813	0.121	1563	0.104
863FSH14158	Form	11000	---	---	2188	0.115	---	---	2063	0.108	1788	0.094
863FSH14160	Form	11000	---	---	2500	0.134	---	---	2288	0.123	1975	0.106
1020FDH1440	Form	11000	---	---	1875	0.108	---	---	1750	0.101	1500	0.086
1020FDH1442	Form	11000	---	---	2188	0.126	---	---	2063	0.119	1775	0.102
1020FDH1444	Form	11000	---	---	2363	0.136	---	---	2175	0.125	1838	0.106
1020FDH1446	Form	11000	---	---	2425	0.124	---	---	2250	0.115	1900	0.097
1020FDH1448	Form	11000	---	---	2588	0.125	---	---	2375	0.115	1975	0.096
1030FDH1452	Form	11000	---	---	2875	0.113	---	---	2550	0.101	2188	0.086
1030FDH1454	Form	11000	---	---	3200	0.107	---	---	2913	0.097	2500	0.084
1040FDH1456	Form	11000	---	---	3500	0.096	---	---	3125	0.086	2500	0.069
1040FDH1458	Form	11000	---	---	3750	0.103	---	---	3425	0.094	2888	0.079

# marathon®

Generators

## Industrial Solutions Regal Rexnord

100 East Randolph Street  
Wausau, WI 54402-8003  
Phone: 715-675-3359  
Fax: 715-675-8026

regalrexnord.com

The proper selection and application of products and components, including assuring that the product is safe for its intended use, are the responsibility of the customer. To view our Application Considerations, please visit <https://www.regalrexnord.com/Application-Considerations>.

To view our Standard Terms and Conditions of Sale, please visit <https://www.regalrexnord.com/Terms-and-Conditions-of-Sale> (which may redirect to other website locations based on product family).

UL is a trademark or trade name of Underwriters Laboratories and is not owned by or under the control of Regal Rexnord Corporation.

"Regal Rexnord" is not indicative of legal entity.

Regal Rexnord, Marathon, DVR and DATAMAX are trademarks of Regal Rexnord Corporation or one of its affiliated companies.

©2017, 2021 Regal Rexnord Corporation, All Rights Reserved.

MCB21040E • Form# SB0078E

The logo for Regal Rexnord, featuring a stylized 'R' icon followed by the text 'RegalRexnord™' in a bold, sans-serif font.